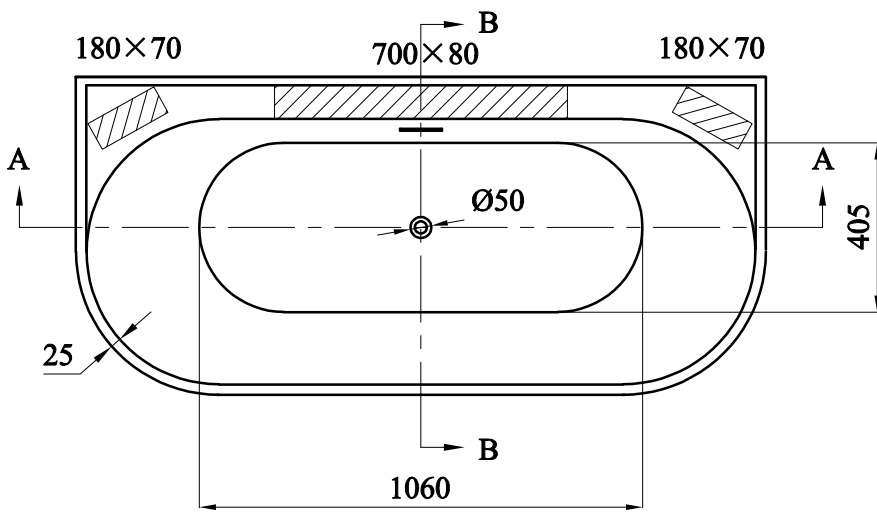
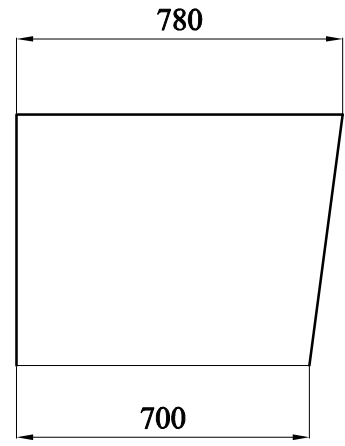
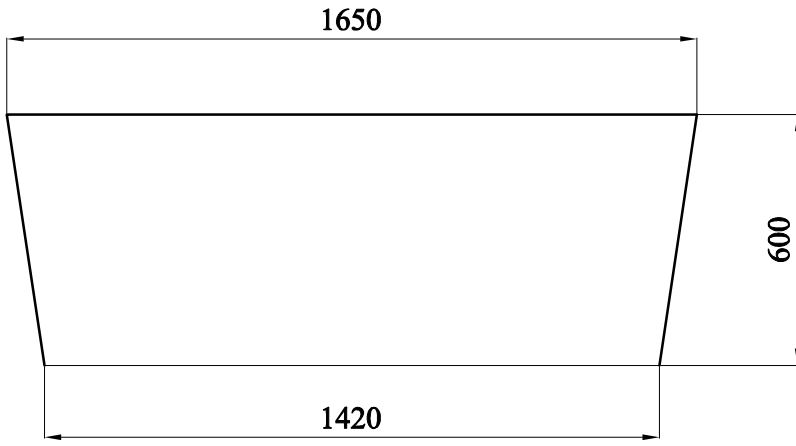



Dimensions: 1650 × 780 × 600mm

Unit: mm



 Taps Location

SECTION A-A

SECTION B-B

